

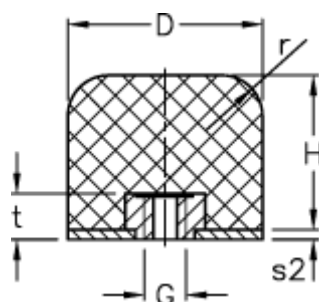
Data Sheet



Article number: 51503509160010

Description: Vibration damper GP-1I 125x100
M16, NR shore 57

Measures



D	= 125	t = 16
d2	= 4	
G	= M16	
H	= 100	
Load capacity F (kN)	= 150.0	
Load capacity f (mm)	= 55	
Load capacity W (J)	= 2240	
r	= 25.0	